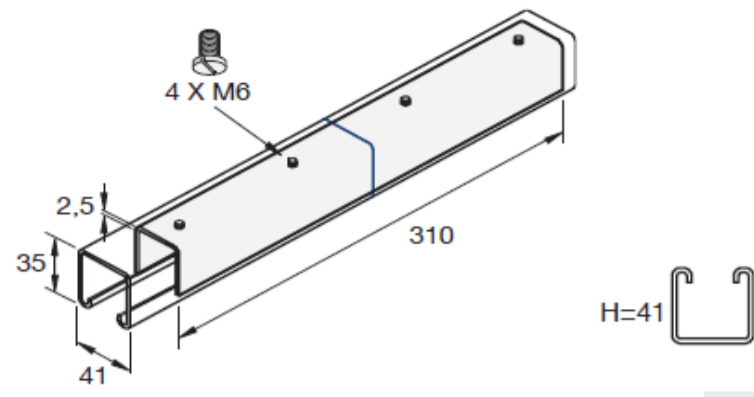


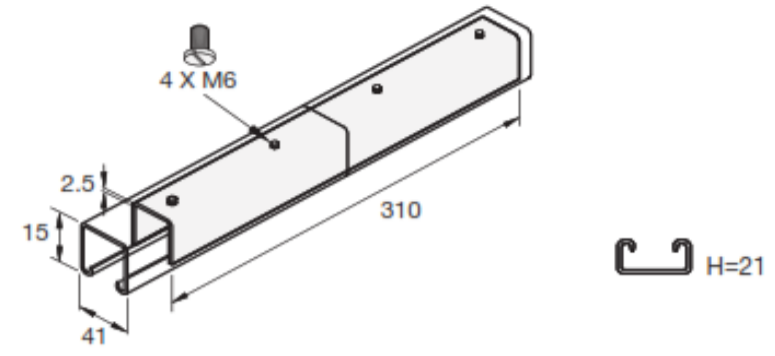
Internal Connector for 41mm Channel



Part No. PRO51

Material : Mild Steel/ Stainless Steel (SS)
Finish : Hot Dipped Galv (HG)
Holes : 6mm tapped thread

Internal Connector for 21mm Channel



Part No. PRO52

Material : Mild Steel/ Stainless Steel (SS)
Finish : Hot Dipped Galv (HG)
Holes : 6mm tapped thread