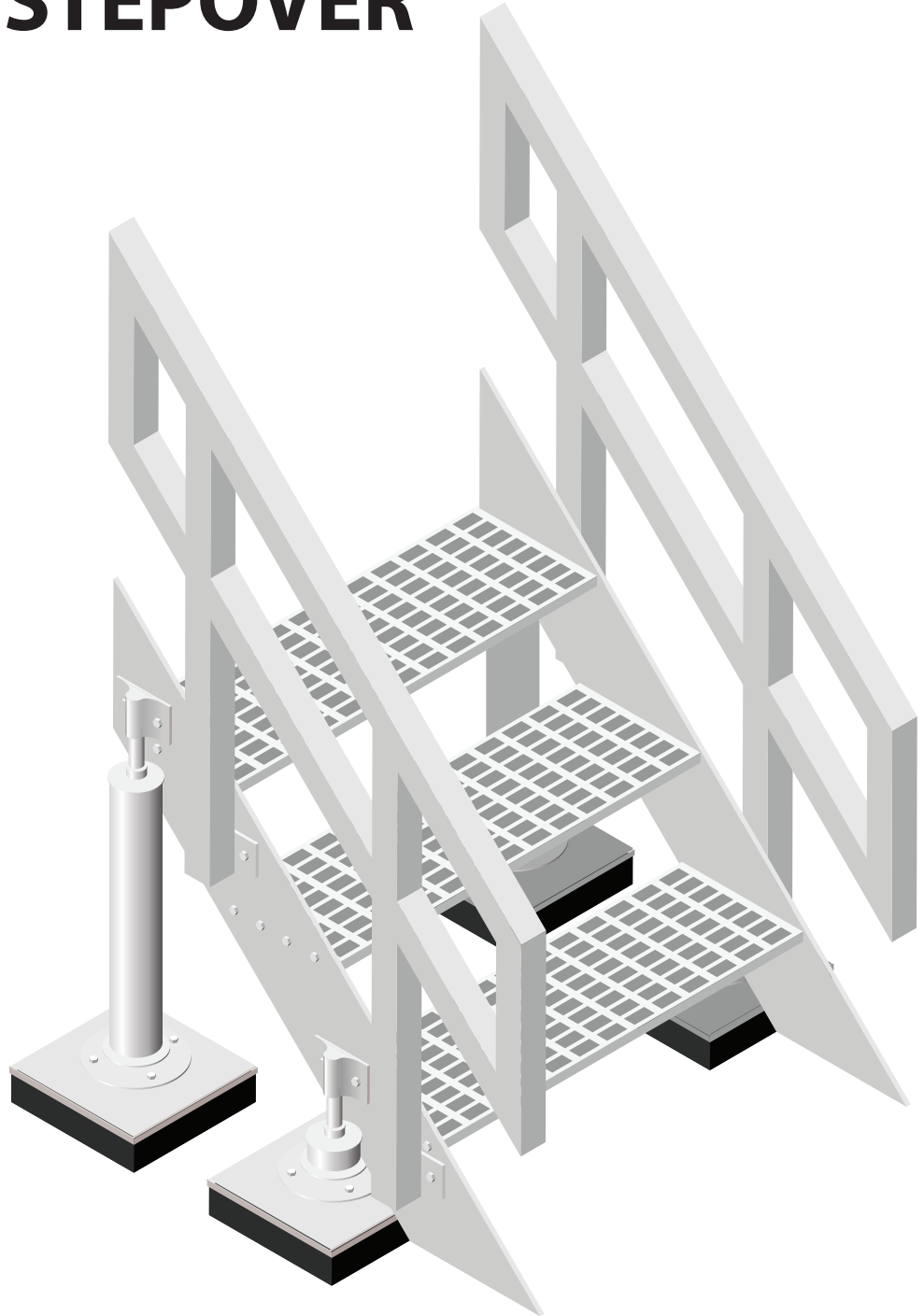




**PROFAST**  
Fasteners & Fixings Solutions

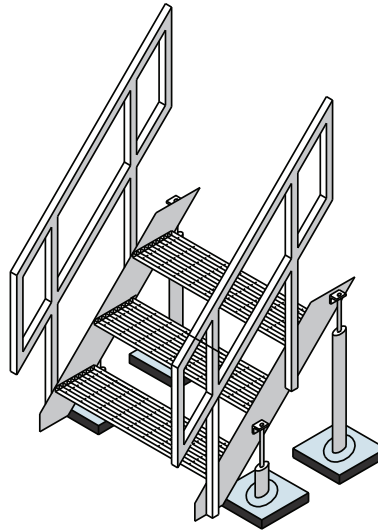
# Access **STEPOVER**



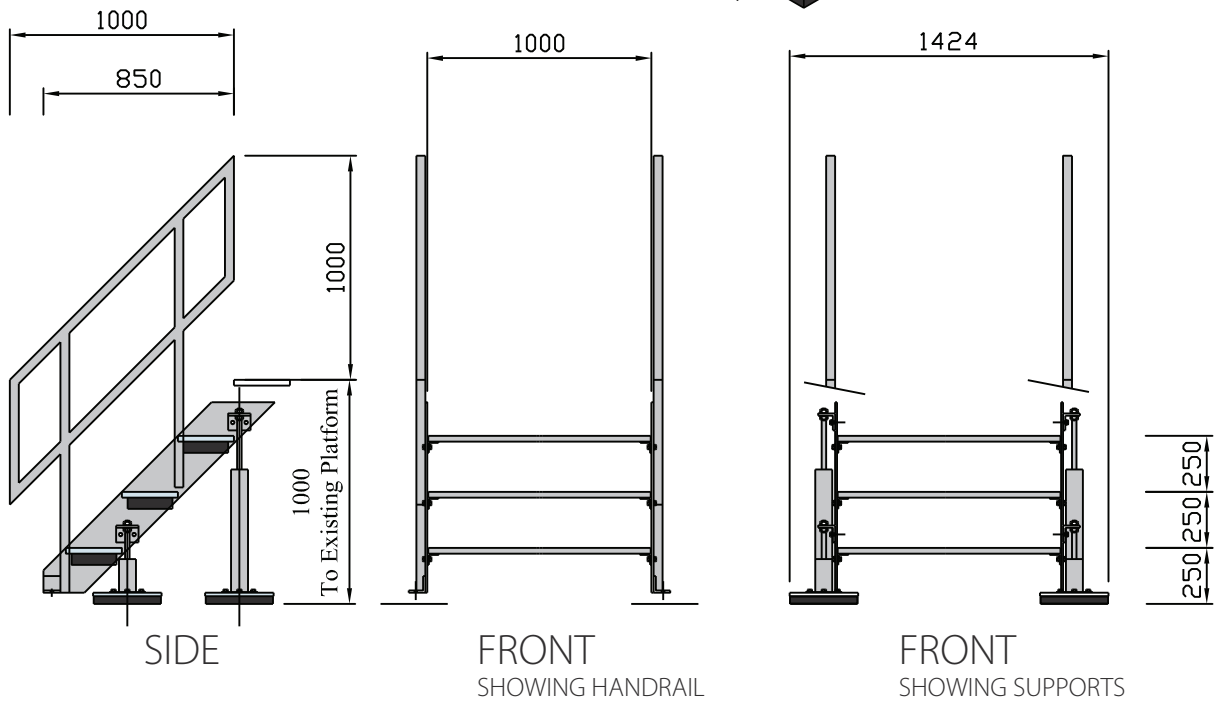


# PROFAST

Fasteners & Fixings Solutions



## ACCESS STEPOVER



### Technical Data

Project application:	Commercial flat roof and low pitched access steptovers
Roofing:	Membrane and bitumen
Material:	Mild steel BS EN 10025
Protection:	HDG BS EN ISO 1461
Base material:	Closed cell polyethelene 67 kg/m <sup>3</sup>
Fasteners:	BS 6946 BS EN Yield stress 170/mm 21

### Components

Flooring:	W100 25 x 3 40 x 100 BS EN 100025 SJ75JR
Stair treads:	41/100
Handrail posts:	33.7 outer diameter
Stringer:	250 x 8 mm
Kickplate:	200 x 8 mm
Sleeve joints:	45 degree couplers
RR MD support feet height adjustable	