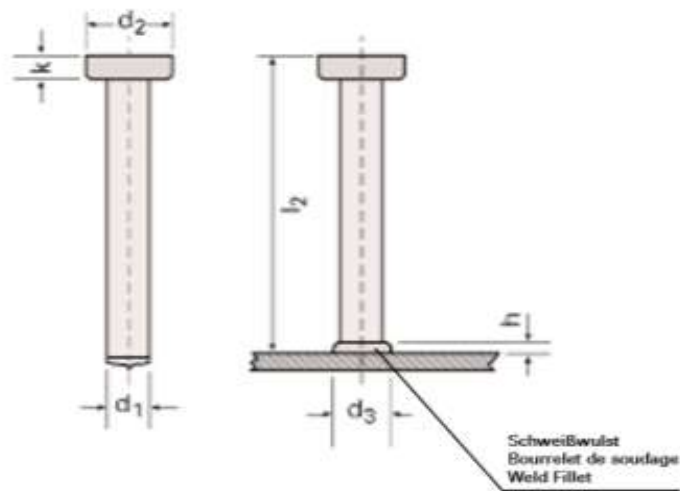


Nelson Shear Connector/ Concrete Anchor



Ø	l2	Part No	Barrell	Weight (kg/1	d1	d2	d3	k	h
3/4"(19)	75	15-04-90	950	21,0	19,05	31,7	24,0	10,0	9,0
3/4"(19)	100	15-82-82	700	26,6	19,05	31,7	24,0	10,0	9,0
3/4"(19)	125	15-43-16	600	32,2	19,05	31,7	24,0	10,0	9,0
3/4"(19)	150	15-96-65	500	37,8	19,05	31,7	24,0	10,0	9,0

Ferrule/norm.	Chuck	Ferrule Grip	Foot Assembly
KSN 19	25-50-00	65-29-00	NS20 36-06-00