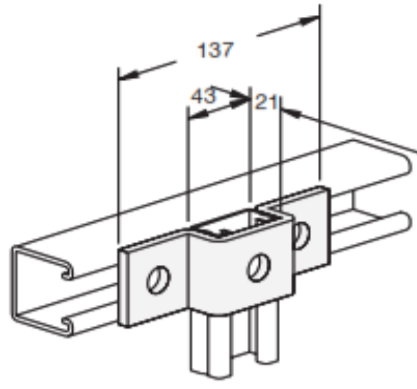


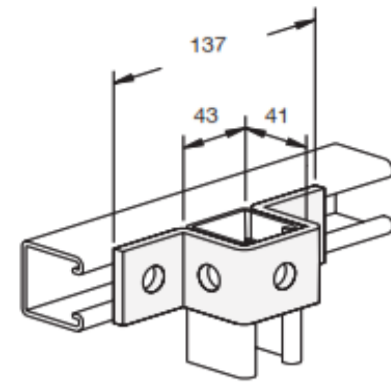
3 Hole Top Hat for 21mm Channel



Part No. PRO29

Material : Mild Steel/ Stainless Steel (SS)
Finish : Hot Dipped Galv (HG)
Holes : 14mm

5 Hole Top Hat for 41mm Channel



Part No. PRO30

Material : Mild Steel/ Stainless Steel (SS)
Finish : Hot Dipped Galv (HG)
Holes : 14mm